

TRENCH METHOD OPTION DETAIL

NOTES:

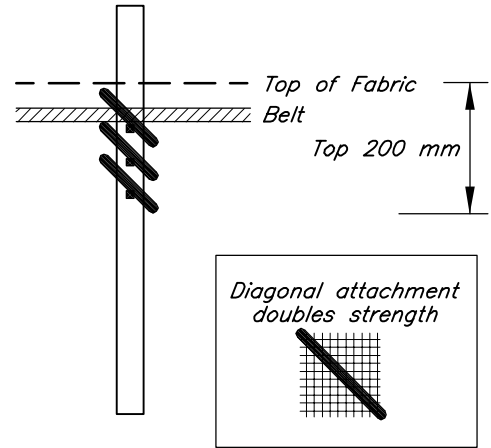
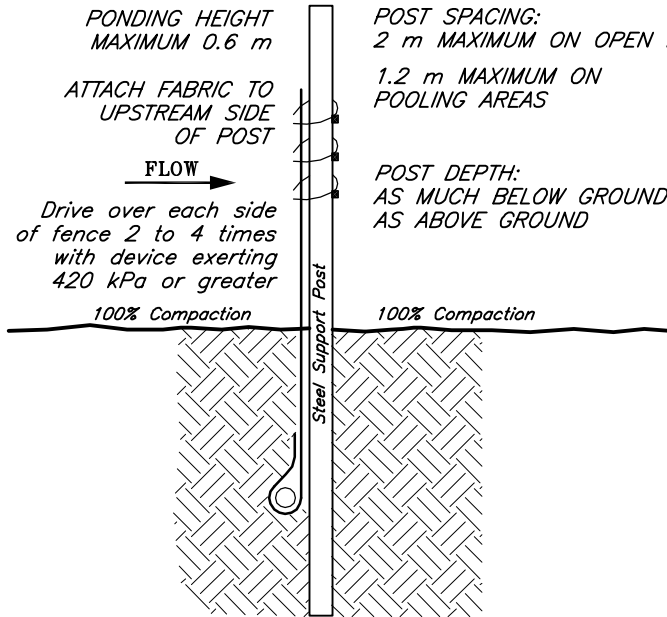
1. SILT FENCE SHALL BE PLACED ON SLOPE CONTOURS TO MAXIMIZE PONDING EFFICIENCY.
2. INSPECT AND REPAIR FENCE AFTER EACH STORM EVENT (1:2 YEAR STROM AND/OR +40 mm RAINFALL OVER 24 HOUR DURATION) AND REMOVE SEDIMENT WHEN ACCUMULATED SILT REACHES 1/2 FENCE HEIGHT OR 225 mm MAXIMUM SUGGESTED STORAGE HEIGHT.
3. REMOVED SEDIMENT SHALL BE DEPOSITED TO AN AREA WILL NOT CONTRIBUTE SEDIMENT OFF-SITE.
4. THIS FIGURE IS PROVIDED FOR GUIDANCE ONLY AND DOES NOT CONSTITUTE A DESIGN. A SITE SPECIFIC DESIGN IS REQUIRED FROM DESIGNER/ENGINEER.

NOT TO SCALE

SILT FENCE
(TRENCH METHOD OPTION)

FILE: SILTFENC

© 1994 JOHN McCULLAH
 From: Salix—Applied Earthcare — EROSION DRAW 3.0

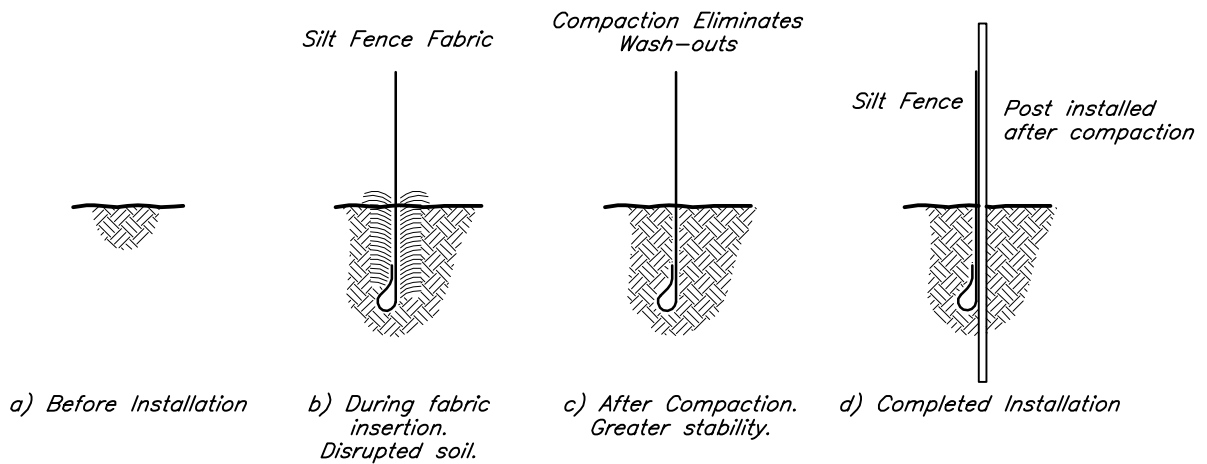


ATTACHMENT DETAILS:

- Gather fabric at posts, if needed.
- Utilize three ties per post, all within top 200 mm of fabric.
- Position each tie diagonally, puncturing holes vertically a minimum of 25 mm apart.
- Hang each tie on a post nipple and tighten securely.
- Use cable ties (50 lbs) or soft wire.

NO MORE THAN 0.6 m OF A 0.9 m FABRIC IS ALLOWED ABOVE GROUND

THE MECHANICAL (SLICING) METHOD



THE MECHANICAL (SLICING) METHOD INSTALLATION SEQUENCE

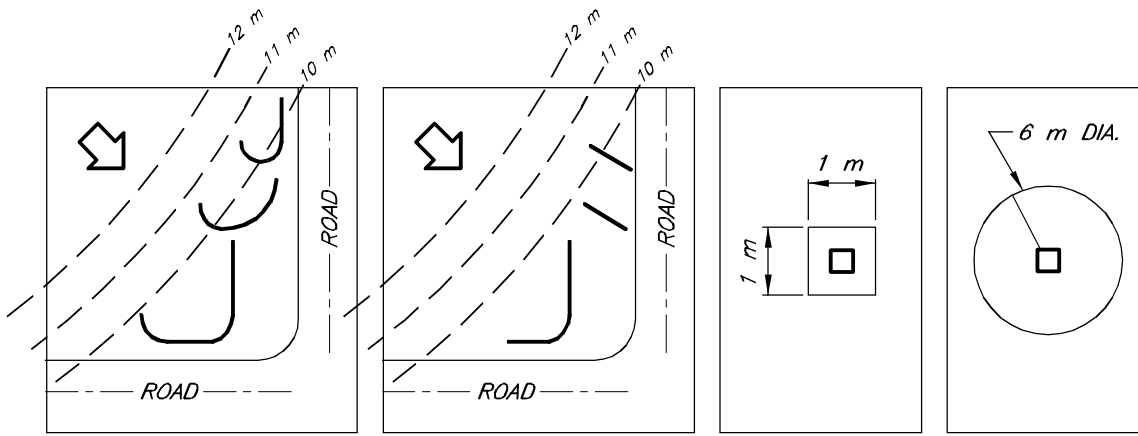
NOTES:

1. INSTALLATION MACHINE MUST ALLOW CONTINUOUS SLICING AND EMBEDMENT OF GEOTEXTILE INTO GROUND WITH MINOR GROUND DISTURBANCE.
2. INSTALLATION MACHINE TYPES WILL VARY WITH MANUFACTURER.
3. THIS FIGURE IS PROVIDED FOR GUIDANCE ONLY AND DOES NOT CONSTITUTE A DESIGN. A SITE SPECIFIC DESIGN IS REQUIRED FROM DESIGNER/ENGINEER.

NOT TO SCALE

SILT FENCE
(MECHANICAL METHOD OPTION)

SOURCE: CARPENTER T. 2000

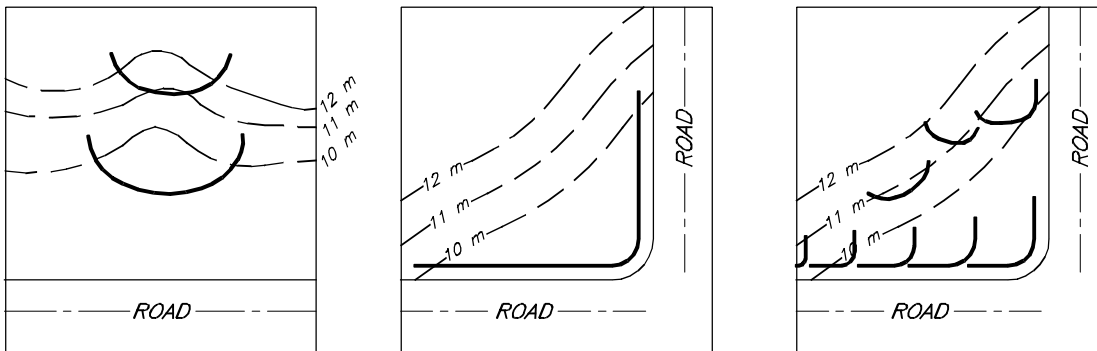


CORRECT

INCORRECT

"J" CONFIGURATION

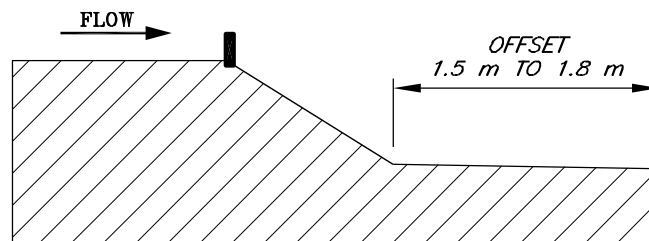
SILT FENCE BARRIER AT STORM INLET



"SMILE" CONFIGURATION

AVOID LONG INSTALLATION

COMBINATION OF "SMILE" AND "J" CONFIGURATIONS



LOCATION AT TOP AND BOTTOM OF SLOPE

NOT TO SCALE

NOTE:

1. THIS FIGURE IS PROVIDED FOR GUIDANCE ONLY AND DOES NOT CONSTITUTE A DESIGN. A SITE SPECIFIC DESIGN IS REQUIRED FROM DESIGNER/ENGINEER.

SOURCE: CARPENTER T. 2000

**SILT FENCE
(CONFIGURATION PLAN)**