



CROSS COUNTRY CANADA SUPPLIES & RENTALS

CUSTOM FABRICATION

STRUCTURAL FABRICATION • MACHINING • ENGINEERING & DESIGN

Cross Country Canada offers welding and complete custom metal fabrication from concept and drafting to fabrication and finishing. Our knowledgeable and experienced welders and designers can build, modify or repair to your specifications.

Whether it's a new build or modifications to an existing structure, our team can provide affordable, versatile and effective fabrication solutions.



cwbcertification[®]
CSA W47.1

Our custom
fabrication
shop is proudly
CWB Certified.

SERVICES PROVIDED

- Welding (Shop/Field)
- Fabrication
- Structural Manufacturing
- Commercial & Industrial Steel Projects
- Equipment Repairs
- Machining
- Water Jet Cutting
- Plasma Cutting
- Weld Inspection
- NDT Certification
- Steel Sales
- Sandblasting
- Painting
- 3D Rendering
- Engineering & Design

WWW.CROSSCOUNTRYCANADA.CA

780-962-6559





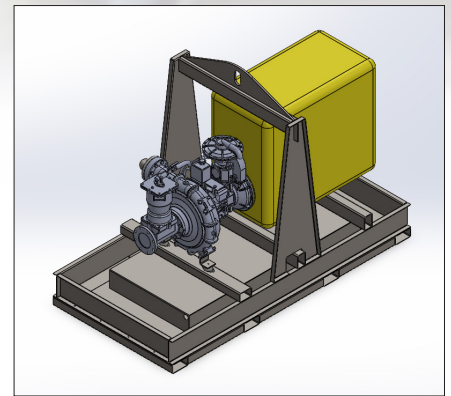
CUSTOM BUILDS

Cross Country Canada offers design-build services for the construction of below-the-hook lifting devices, specialized trailers, custom accessories for our rental equipment and both large and small miscellaneous manufacturing projects



WATER JET CUTTING

Our custom fabrication shop contains high quality equipment, such as our 5-Axis CNC Water Jet Cutting Table. The tables cutting heads open up 3-dimensional cutting abilities at angles from 0° to 90°. Go beyond cutting bevels on flat stock.



ENGINEERING & DESIGN

As part of our Integrated Design Process, our on-staff Mechanical Engineer can provide stamped drawings and manage all technical aspects of your concept to ensure consistency and functionality throughout the entire design process.

MATERIALS

With a wide variety of materials already in stock, and access to even more, we can ensure that all your visions are brought to life.

- HSS (Aluminum & Steel)
- Plate (Aluminum & Steel)
- Angle Bar (Aluminum & Steel)
- Flat Bar (Aluminum & Steel)
- Round Bar (Steel)
- Pipe