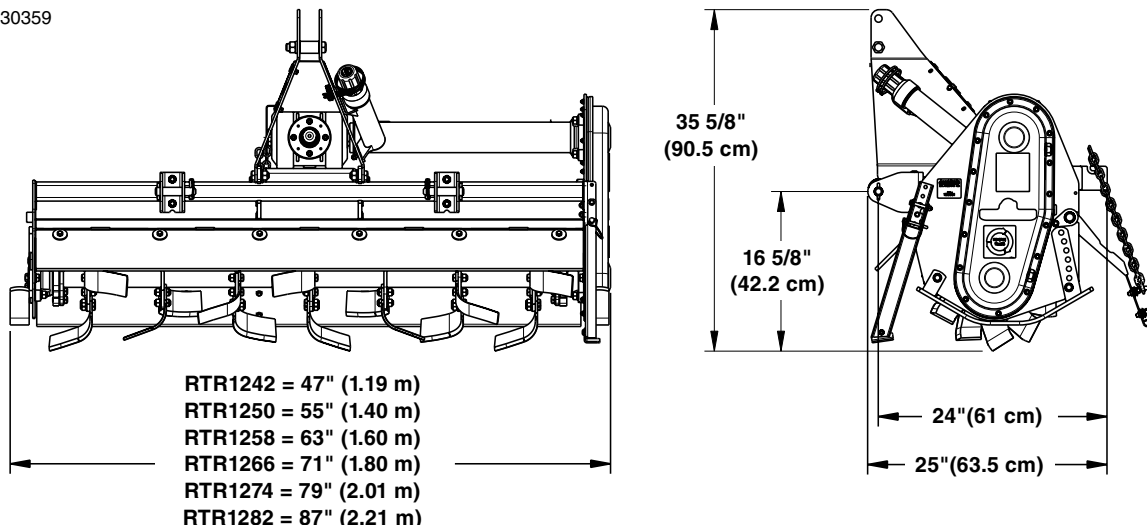


### RTR12 Series Rotary Tiller

#### Specifications and Capacities

	RTR1242	RTR1250	RTR1258	RTR1266	RTR1274	RTR1282
<b>Recommended tractor power take-off horsepower*</b>	15 to 40 hp (11.2-29.8 kW)		20 to 50 hp (14.9-37.3 kW)		25 to 60 hp (18.6-44.7 kW)	30 to 60 hp (22.4-44.7 kW)
<b>Weight</b>	404 lbs (183.3 kg)	435 lbs (197.3 kg)	463 lbs (210 kg)	493 lbs (223.6 kg)	521 lbs (236 kg)	581 lbs (263.5kg)
<b>Width, from end plates</b>	42" (1.07 m)	50" (1.27 m)	58" (1.47 m)	66" (1.68 m)	74" (1.88 m)	82" (2.08 m)
<b>Overall width</b>	47" (1.19 m)	55" (1.40 m)	63" (1.60 m)	71" (1.80 m)	79" (2.01 m)	87" (2.21 m)
<b>3-Point hitch option</b>	Category I, Adjustable Lower Hitch Clevis with Plated Pins. Fits Land Pride's Quick Hitch					
<b>K-Hitch Interface option</b>	Not Available	Not Available	Available (Must be used with Land Pride's KH15-Hitch)		Not Available	Not Available
<b>Offset capabilities</b>	Tiller can be offset up to 7" (17.8 cm), but must be centered if using a Quick Hitch or KH15 Hitch					
<b>Sideshift centered</b>	16" - 26" (41 - 66 cm)	25" - 25" (64 - 64 cm)	29" - 29" (74 - 74 cm)	33" - 33" (84 - 84 cm)	37" - 37" (94 - 94 cm)	41" - 41" (104 - 104 cm)
<b>Shifted right</b>	16" - 26" (41 - 66 cm)	18" - 32" (46 - 81 cm)	22" - 36" (56 - 91 cm)	26" - 40" (66 - 102 cm)	30" - 44" (76 - 112 cm)	34" - 48" (86 - 122 cm)
<b>Shifted left</b>	23" - 19" (58 - 48 cm)	32" - 18" (81 - 46 cm)	36" - 22" (91 - 56 cm)	40" - 26" (102 - 66 cm)	44" - 30" (112 - 76 cm)	48" - 34" (122 - 86 cm)
<b>Number of flanges on rotor</b>	5	6	7	8	9	10
<b>Number of tines per flange</b>	4					
<b>Tine construction</b>	Alloy steel heat treated "C" shaped blades					
<b>Rotor rotation</b>	Reverse Rotation					
<b>Rotor swing diameter</b>	15" (38 cm)					
<b>Rotor Shaft Speed</b>	211 rpm at 540 rpm power take-off					
<b>Rotor bearing mounts</b>	Machined cast iron					
<b>Skid shoes</b>	Adjustable					
<b>Storage stands</b>	Adjustable					
<b>Rear tailgate</b>	Adjustable rear tailgate					
<b>Front deflector</b>	Rubber					
<b>Driveline</b>	Category 4 with Slip Clutch					
<b>Gearbox Construction</b>	60 hp (45 kW) input at 540rpm 1.92:1 ratio, Cast iron housing with ASAE 1 3/8" - 6 spline shaft, tapered roller bearings, bevel gears, drain plug, level plug and fill plug					
<b>Gearbox lubrication</b>	SAE 80-90W EP oil					
<b>Gearbox oil capacity</b>	2 pints (0.95 L)					
<b>Drive chain</b>	#80 Roller chain - Fully enclosed in oil bath with drain and fill plugs					
<b>Chaincase lubrication</b>	Shell Gadus S2 V2200 00 flowable grease or equivalent					
<b>Gearbox oil capacity</b>	20 oz (0,59 L)					
<b>Sprockets</b>	Case hardened teeth, splined bores					

30359



**RTA12 Series Rotary Tiller**

**Specifications and Capacities**

	RTA1242	RTA1250	RTA1258	RTA1266	RTA1274	RTA1282
Recommended tractor power take-off horsepower*	15 to 40 hp (11.2-29.8 kW)		20-50 hp (14.9-37.3 kW)		25-60 hp (18.6-44.7 kW)	30 to 60 hp (22.4-44.7 kW)
Weight	391 lbs (177.4 kg)	421 lbs (191 kg)	448 lbs (203.2 kg)	476 lbs (216 kg)	503 lbs (228.2 kg)	552 lbs (250.4)
Width, from end plates	42" (1.07 m)	50" (1.27 m)	58" (1.47 m)	66" (1.68 m)	74" (1.88 m)	82" (2.08 m)
Overall width	47" (1.19 m)	55" (1.40 m)	63" (1.60 m)	71" (1.80 m)	79" (2.01 m)	87" (2.21 m)
3-Point hitch option	Category I, Adjustable Lower Hitch Clevis with Plated Pins Fits Land Pride Quick Hitch					
K-Hitch Interface option	Not Available	Not Available	Available (Must be used with Land Pride's KH15-Hitch)		Not Available	Not Available
Sideshift capabilities	Must be centered if using a Quick Hitch or KH15 Hitch					
	Up to 5" (12.7 cm)	Up to 7" (17.8 cm)				
Sideshift centered	16" - 26" (41 - 66 cm)	25" - 25" (64 - 64 cm)	29" - 29" (74 - 74 cm)	33" - 33" (84 - 84 cm)	37" - 37" (94 - 94 cm)	41" - 41" (104 - 104 cm)
Shifted right	16" - 26" (41 - 66 cm)	18" - 32" (46 - 81 cm)	22" - 36" (56 - 91 cm)	26" - 40" (66 - 102 cm)	30" - 44" (76 - 112 cm)	34" - 48" (86 - 122 cm)
Shifted left	23" - 19" (58 - 48 cm)	32" - 18" (81 - 46 cm)	36" - 22" (91 - 56 cm)	40" - 26" (102 - 66 cm)	44" - 30" (112 - 76 cm)	48" - 34" (122 - 86 cm)
Number of flanges on rotor	5	6	7	8	9	10
Number of tines per flange	4					
Tine construction	Alloy steel heat treated "C" shaped blades					
Rotor rotation	Forward Rotation					
Rotor swing diameter	15" (38 cm)					
Rotor Shaft Speed	211 rpm at 540 rpm power take-off					
Rotor bearing mounts	Machined cast iron					
Skid shoes	Adjustable					
Storage stands	Adjustable					
Rear tailgate	Adjustable rear tailgate					
Front deflector	None (Not required with RTA forward rotation)					
Driveline	Category 4 with Slip Clutch					
Gearbox Construction	60 hp (45 kW) input at 540rpm 1.92:1 ratio, Cast iron housing with ASAE 1 3/8" - 6 spline shaft, tapered roller bearings, bevel gears, drain plug, level plug and fill plug					
Gearbox lubrication	SAE 80-90W EP oil					
Gearbox oil capacity	2 pints (0.95 L)					
Drive chain	#80 Roller chain - Fully enclosed in oil bath with drain and fill plugs					
Chaincase Lubrication	Shell Gadus S2 V2200 00 flowable grease or equivalent					
Lubrication capacity	20 oz (0,59 L)					
Sprockets	Case hardened teeth, splined bores					

30365

